



# F-Series HVLS Fan Systems

Electric Torque Machines (ETM) designs and manufactures high efficiency, high continuous torque motors optimized for direct drive applications. ETM's F-series motors bring the advantages of direct drive to HVLS fans.

## Advantages

- Increased efficiency and reliability
- Exceptional torque per size, weight, and cost
- Small, gearless system enables silent, elegant fan design
- Outer rotating motor creates path through motor center for light wiring and safety cables
- HVLS-specific controller is designed for high reliability and easy integration with building systems



**F170**

## Features

- Controllable through Modbus interface
- 0-10 V output for controlling customer-supplied LED light
- 24 V, 6 W accessory power supply built in
- Hard wired fire disconnect compatible
- Ambient temperature sensor input
- Wind sensor input

## System Accessories

- Membrane keypad HMI
- Rear drive cover to house accessory electronics
- Drive rain skirt for wet location use

***ETM – Direct Drive Solutions™***

1409 East Butler Avenue, Flagstaff, AZ 86001-5920 TEL: +1-928-779-3169 [www.etmpower.com](http://www.etmpower.com)

Electric Torque Machines and designs are trademarks of Electric Torque Machines, Inc. ©2017

Revision 0



# F-Series HVLS Fan Systems

Drive and Motor System Specifications			
System	F170	F70	F13
Max Continuous Torque Nm [ft-lb]	175 [129]	70 [52]	14 [10]
Max Continuous Power* W [Hp]	1100 [1.48]	500 [.67]	175 [.23]
Max No Load Speed RPM	100	150	180
Input Power Requirement VAC	208 – 480, 1 or 3 Phase, 50/60 Hz	208 – 480, 1 or 3 Phase, 50/60 Hz	120 – 240, 1 Phase, 50/60 Hz

\* Actual motor output power. F170 is comparable to a 2HP induction motor and gearbox



**F70**



**F13**

***ETM – Direct Drive Solutions™***

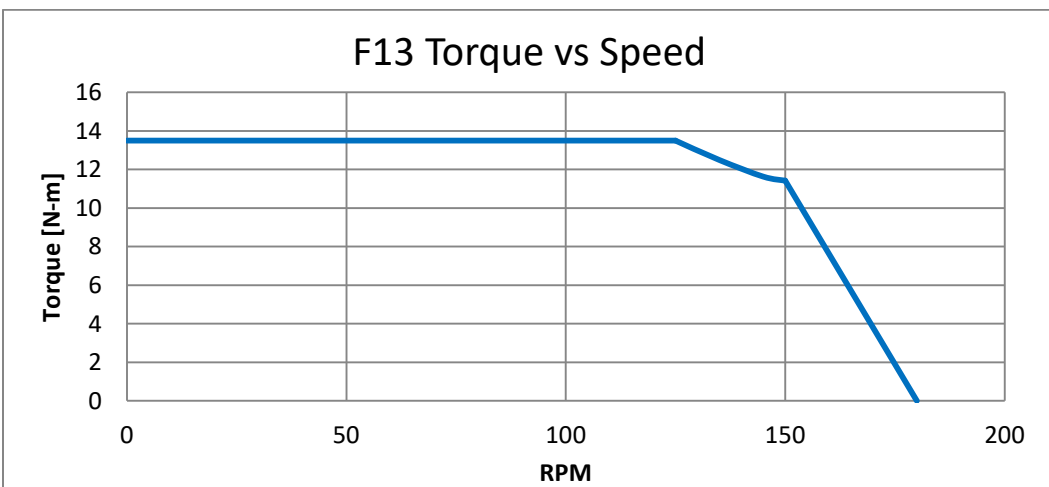
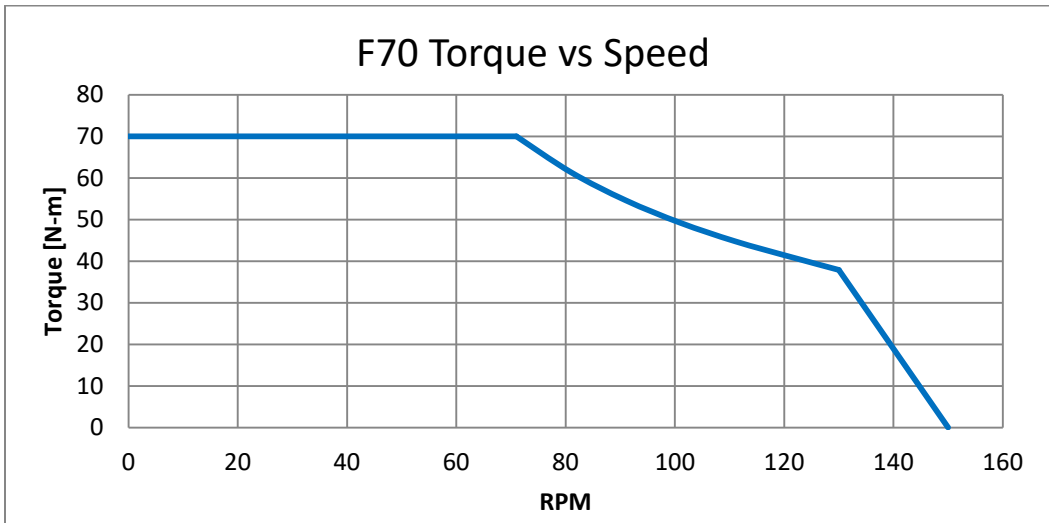
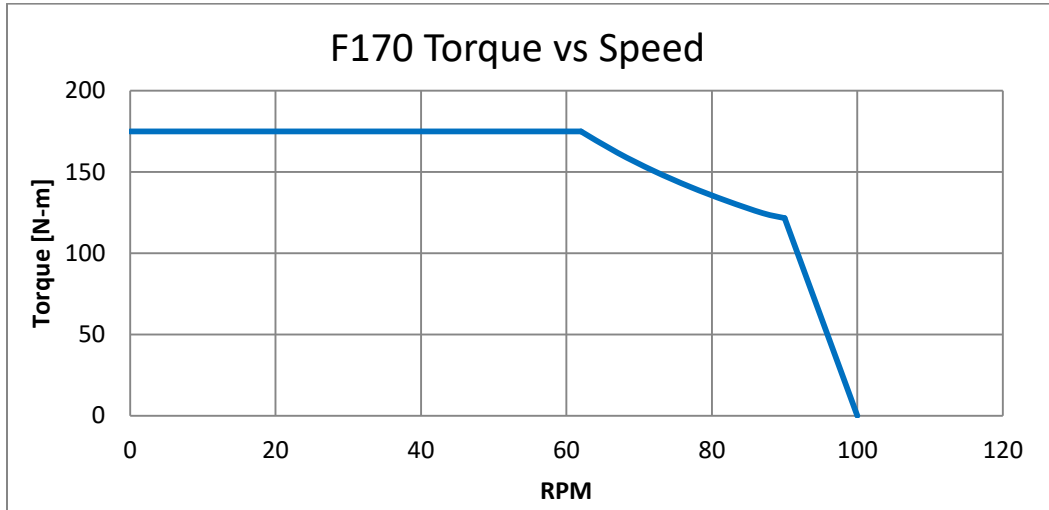
1409 East Butler Avenue, Flagstaff, AZ 86001-5920 TEL: +1-928-779-3169 [www.etmpower.com](http://www.etmpower.com)

Electric Torque Machines and designs are trademarks of Electric Torque Machines, Inc. ©2017

Revision 0



# F-Series HVLS Fan Systems



**ETM – Direct Drive Solutions™**

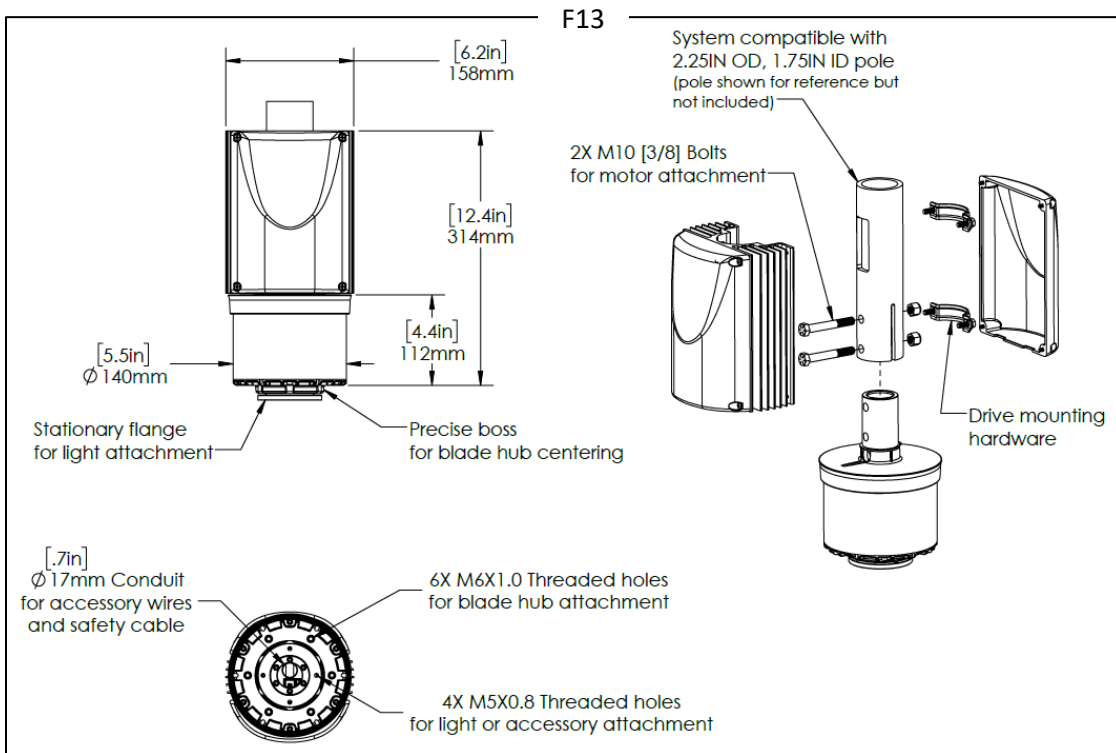
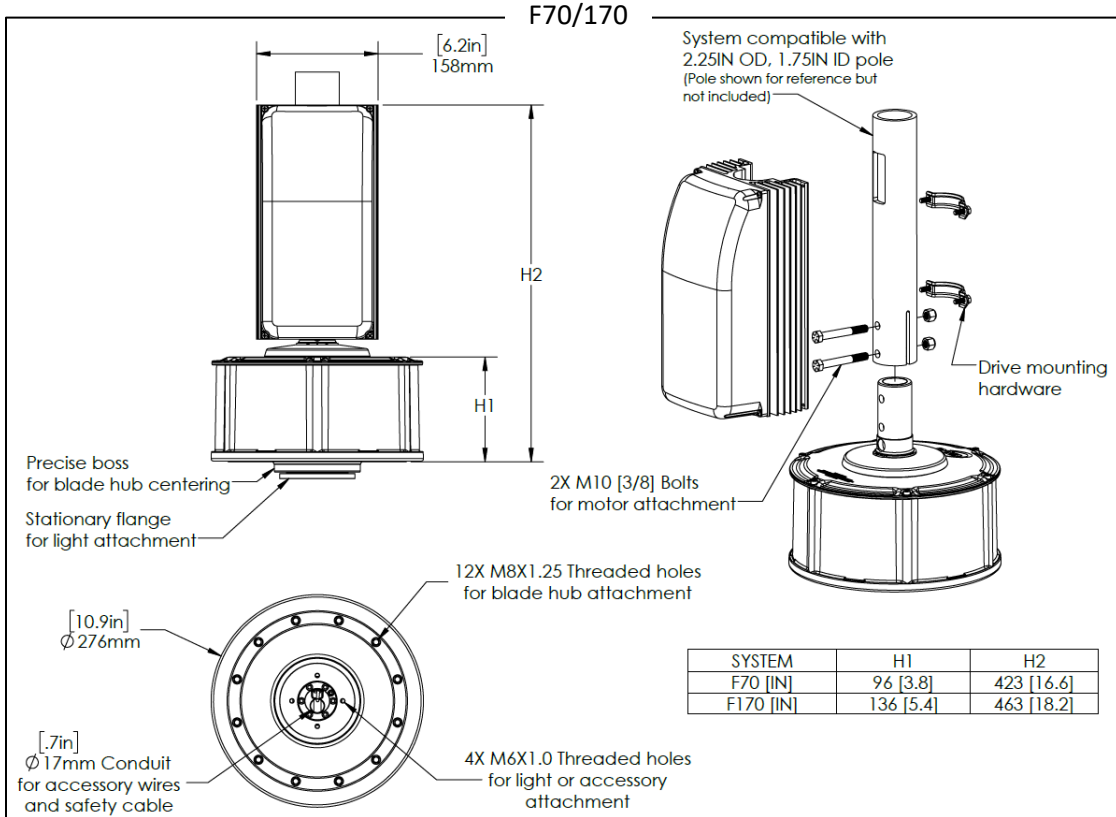
1409 East Butler Avenue, Flagstaff, AZ 86001-5920 TEL: +1-928-779-3169 [www.etmpower.com](http://www.etmpower.com)

Electric Torque Machines and designs are trademarks of Electric Torque Machines, Inc. ©2017

Revision 0



# F-Series HVLS Fan Systems



## ETM – Direct Drive Solutions™

1409 East Butler Avenue, Flagstaff, AZ 86001-5920 TEL: +1-928-779-3169 [www.etmpower.com](http://www.etmpower.com)

Electric Torque Machines and designs are trademarks of Electric Torque Machines, Inc. ©2017

Revision 0