

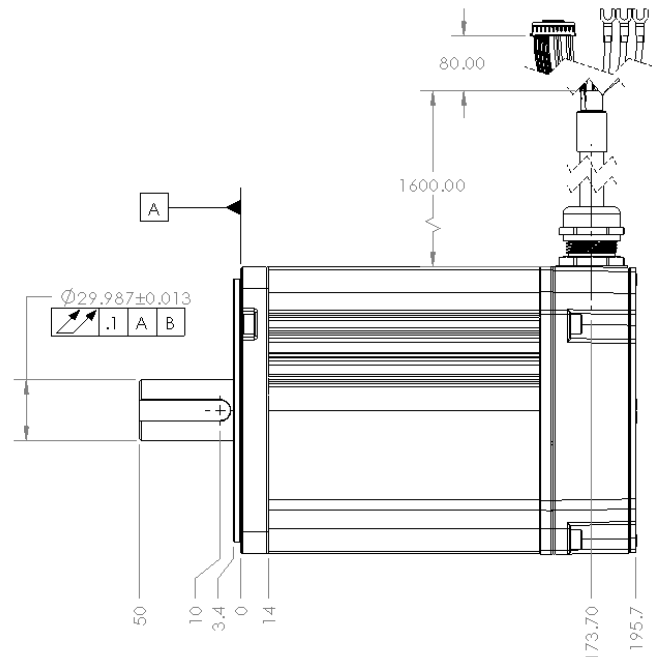
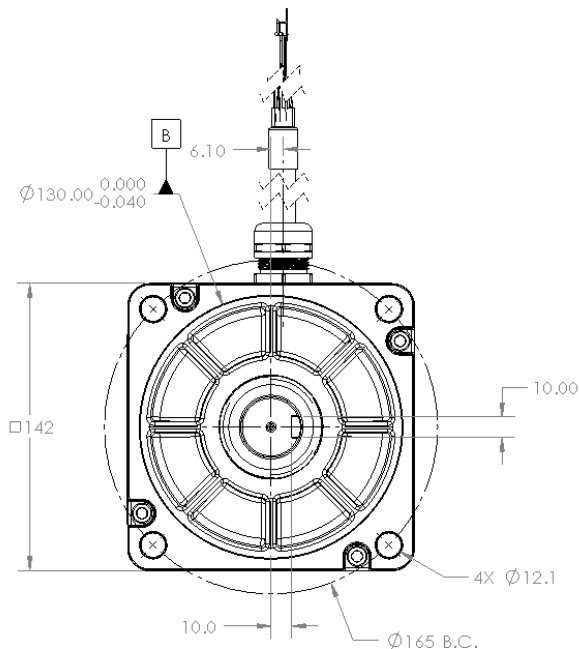


M165 Direct Drive Motor

Electric Torque Machines (ETM) provide direct drive solutions for demanding applications. ETM manufactures high efficiency, high continuous torque, direct drive motors.

Features and Benefits

- ETM proprietary motors provide a ***10X continuous torque*** advantage over AC induction motors.
- Direct drive enables a compact, lightweight, efficient, and reliable system.
- High efficiency even with high load at low RPM.
- Compatible with ETM and standard BLDC drives.



ETM - Direct Drive Solutions™

1409 East Butler Avenue Flagstaff, AZ, USA 86001-5920 TEL: +1-928-779-3169 www.etmpower.com

Electric Torque Machines and designs are trademarks of Electric Torque Machines, Inc. ©2012

ETM-M165 Data Sheet Rev 8



M165 Direct Drive Motor

General Specifications		
Continuous Stall Torque (Ambient 30°C, Max Motor Surface Temperature = 65°C)	N·m	38
	ft·lb	28
Peak Torque	N·m	60
	ft·lb	44
Max Continuous Power (at 350 RPM and 25 N·m)	kW	0.9
	hp	1.2
Max Continuous Speed	RPM	700
Motor Efficiency (at Max Continuous Power)	93%	
Rotor Inertia	kg·cm ²	46
Weight	kg	12
	lb	26
Motor Constant (At Continuous Torque)	N·m/√W	4.4
	ft·lb/√W	3.2
Winding Specifications		
Bus Voltage	V _{DC}	350
Phase Current at Continuous Torque	A _{rms}	14
Phase Current at Peak Torque	A _{rms}	24
Torque Constant (at Continuous Stall Torque)	N·m/A _{rms}	3.1
BEMF Constant	V _{pk(L-L)} /kRPM	290
Resistance	Ω _(L-L)	0.35
Inductance	mH _(L-L)	5.2

ETM - Direct Drive Solutions™

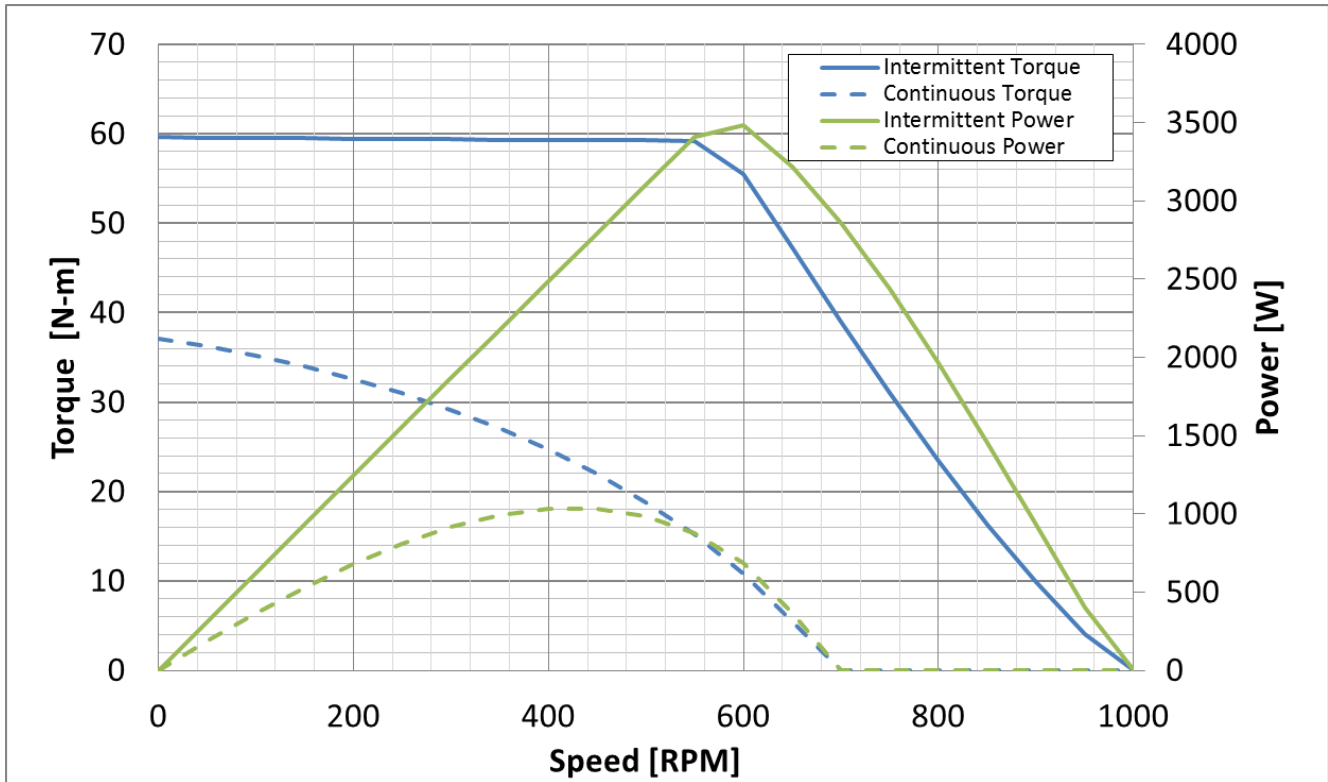
1409 East Butler Avenue Flagstaff, AZ, USA 86001-5920 TEL: +1-928-779-3169 www.etmpower.com

Electric Torque Machines and designs are trademarks of Electric Torque Machines, Inc. ©2012

ETM-M165 Data Sheet Rev 8



M165 Direct Drive Motor



ETM - Direct Drive Solutionstm

1409 East Butler Avenue Flagstaff, AZ, USA 86001-5920 TEL: +1-928-779-3169 www.etmpower.com

Electric Torque Machines and designs are trademarks of Electric Torque Machines, Inc. ©2012

ETM-M165 Data Sheet Rev 8