

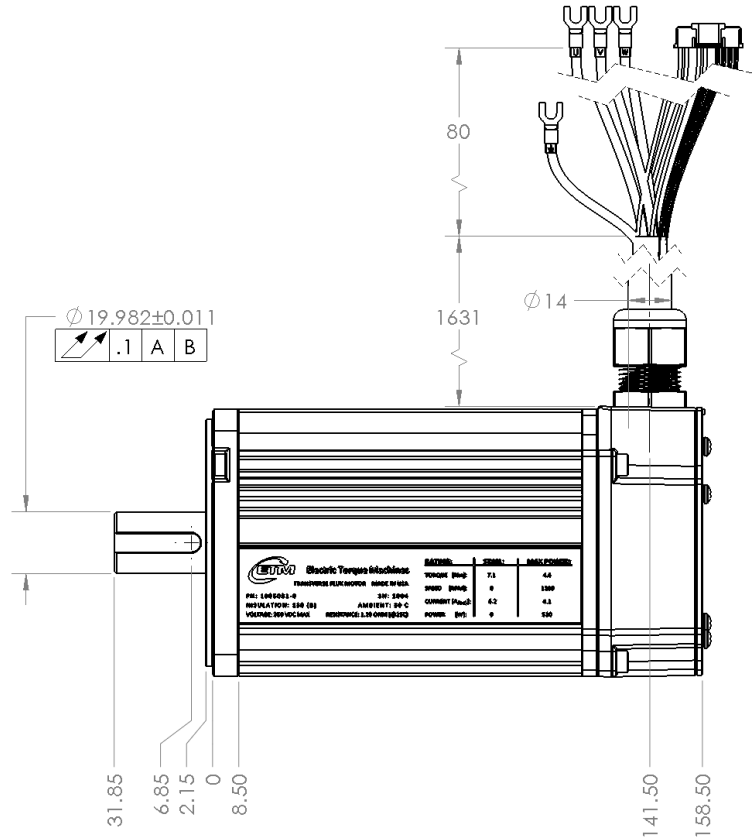
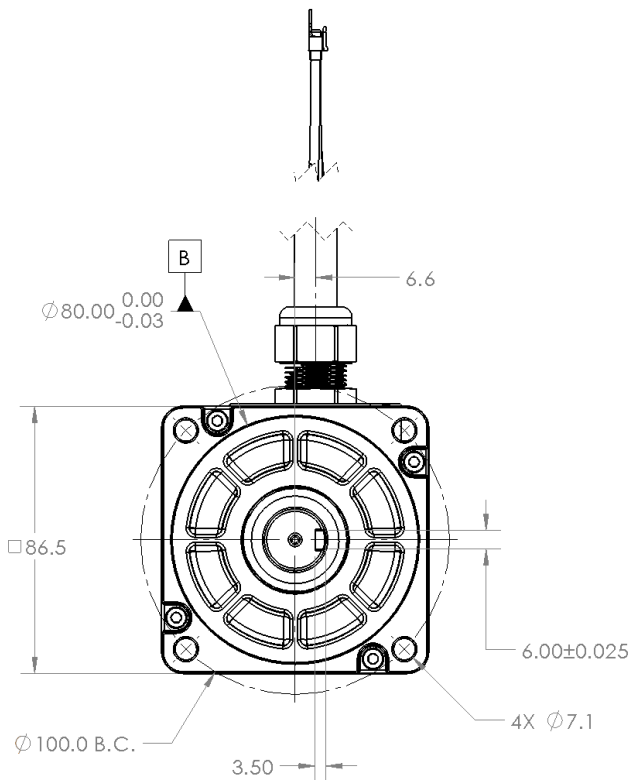


M100 Direct Drive Motor

Electric Torque Machines (ETM) provides direct drive solutions for demanding applications. ETM manufactures high efficiency, high continuous torque, direct drive motors.

Features and Benefits

- ETM proprietary motors provide a **10X continuous torque** advantage over AC induction motors.
- Direct drive enables a compact, lightweight, efficient, and reliable system.
- High efficiency even with high load at low RPM.
- Compatible with ETM and standard BLDC drives.



All dimensions in mm
See appendix for non-standard dash number drawings



ETM - Direct Drive Solutions™

1409 East Butler Avenue Flagstaff, AZ, USA 86001-5920 TEL: +1-928-779-3169 www.etmpower.com

Electric Torque Machines and designs are trademarks of Electric Torque Machines, Inc. ©2012

ETM M100 Data Sheet R9



M100 Direct Drive Motor

General Specifications		
Continuous Stall Torque (Ambient 30°C; Max case temperature 65°C; still air)	N·m	7.1
	ft·lb	5.3
Peak Torque	N·m	9.1
	ft·lb	6.7
Max Continuous Power (at 900 RPM and 4.6 N·m)	W	430
	hp	0.58
Max Continuous Speed	RPM	1400
Motor Efficiency (at Max Continuous Power)	90%	
Rotor Inertia	kg·cm ²	2.6
Weight	kg	3.6
	lb	8.0
Motor Constant (At Continuous Torque)	N·m/√W	1.2
	ft·lb/√W	0.87
Winding Specifications		
Bus Voltage	V _{DC}	350
Phase Current at Continuous Torque	A _{rms}	4.5
Phase Current at Peak Torque	A _{rms}	6.1
Torque Constant (at Continuous Stall Torque)	N·m/A _{rms}	1.6
BEMF Constant	V _{pk(L-L)}/kRPM}	150
Resistance	Ω _(L-L)	1.2
Inductance	mH _(L-L)	9.0



ETM - Direct Drive Solutions™

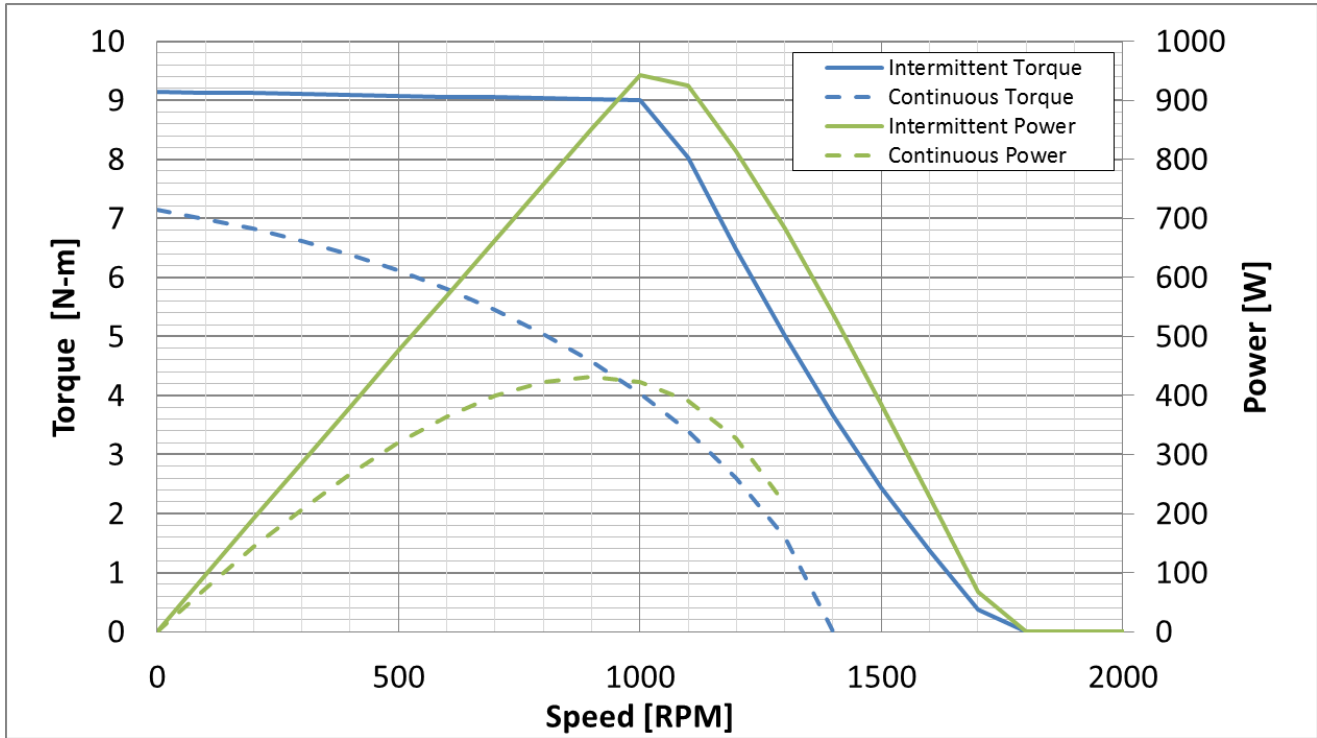
1409 East Butler Avenue Flagstaff, AZ, USA 86001-5920 TEL: +1-928-779-3169 www.etmpower.com

Electric Torque Machines and designs are trademarks of Electric Torque Machines, Inc. ©2012

ETM M100 Data Sheet R9



M100 Direct Drive Motor



ETM - Direct Drive Solutions™

1409 East Butler Avenue Flagstaff, AZ, USA 86001-5920 TEL: +1-928-779-3169 www.etmpower.com

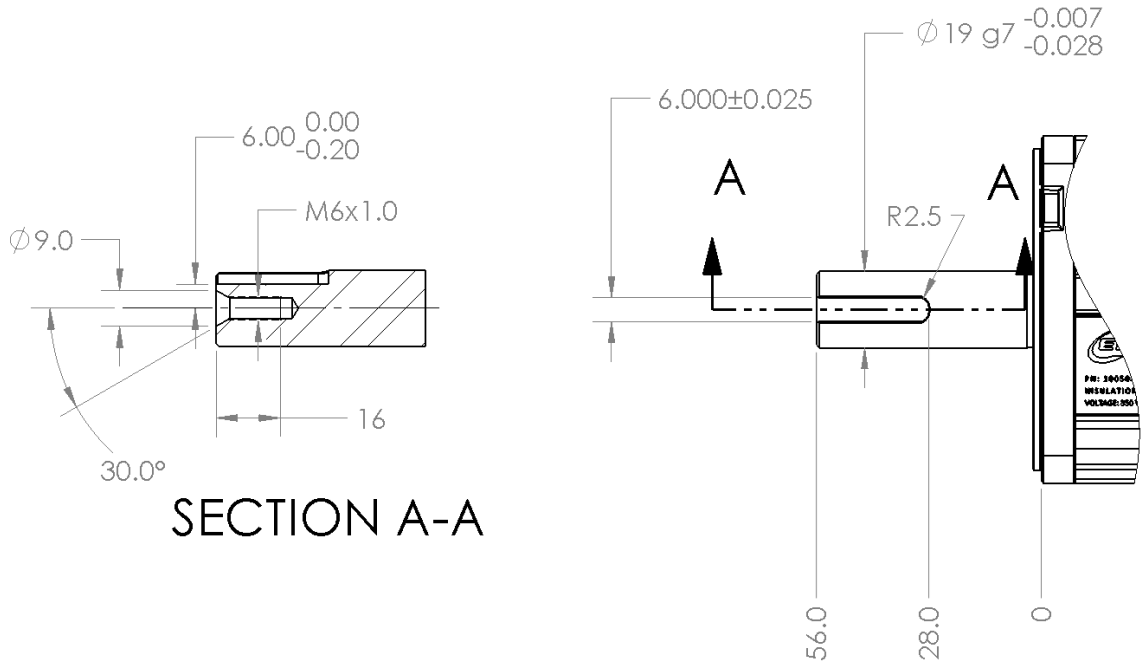
Electric Torque Machines and designs are trademarks of Electric Torque Machines, Inc. ©2012

ETM M100 Data Sheet R9



M100 Direct Drive Motor

Extended 19mm shaft option "-01"



ETM - Direct Drive Solutions™

1409 East Butler Avenue Flagstaff, AZ, USA 86001-5920 TEL: +1-928-779-3169 www.etmpower.com

Electric Torque Machines and designs are trademarks of Electric Torque Machines, Inc. ©2012

ETM M100 Data Sheet R9